

TREX DESIGNER SERIES RAILING® INSTALLATION INSTRUCTIONS

6 ft. Railing Sections; 36" and 42" Railing Height

STEP 1 — Install Posts

The maximum post span for a Trex Designer Railing w/ Post Sleeve railing kit is 72" on center. Attach the 4x4 pressure treated post (if using Trex 4x4 Post Sleeve) or Trex 4x4 solid Railpost to the rim joists with (2) 1/2" diameter carriage bolts. (Note: Finished post height with post cap may be adjusted for personal preference and appearance. Please note whether a 36" or 42" railing is being installed. Do not notch posts.) Bolts must be vertically spaced no less than 5 1/8" apart. Top bolt must be at least 2" from the top of the deck. The bottom bolt must be at least 1" from the bottom of the post. Minimum joist size is 2x8 as stated in the Trex Installation Guide.

STEP 2 — Install Post Sleeves (If using Trex 4x4 Post Sleeves)

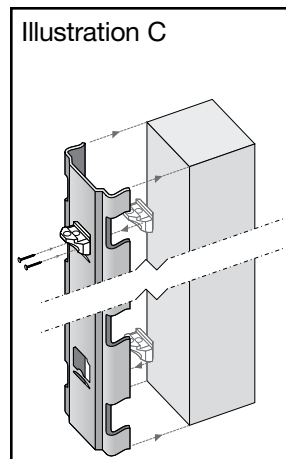
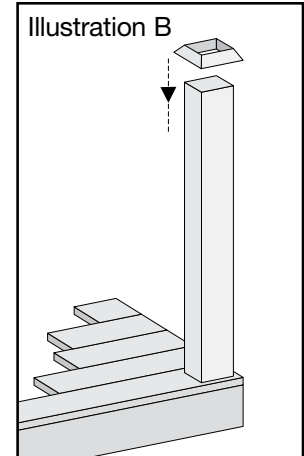
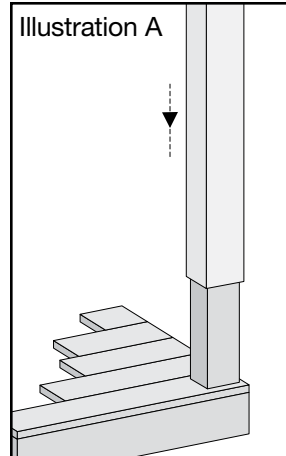
Slide post sleeve over 4x4 pressure treated post and rest on the deck surface. (See **Illustration A**) (Note: Do not use post sleeves as a structural post. Depending upon the size of the P/T post, shims may be required between the post and the 4x4 P/T post to create a better fit.)

STEP 3 — Post Skirts

If Trex Post Skirts were purchased, slide them over each post, resting them on the surface of the deck. (See **Illustration B**)

STEP 4 — Set Railing Support Brackets (RSB)

Insert two RSB's into the appropriate TrexExpress™ Rail Assembly Tool (for Trex Solid 4x4's or Trex Designer Post Sleeves). Wrap the assembly tool around the post with the arrows on the Horizontal label pointing up. (Note: If Post Skirts are in place, rest the bottom of the tool on top of the skirt. If skirts are not being used, place a 1 1/4" shim under the tool.) Attach each RSB to the post using (2) 1 5/8" screws. Repeat this step until all horizontal sections of rail are complete. (See **Illustration C**) (Note: If assembly tool is not available, place the bottom and top brackets at 4" and 35 1/2" respectively from the deck surface. The brackets are installed with the sloped surface facing down. Measurements are to the top of the bracket.)



STEP 4 (ALTERNATIVE)— Set RSB for 42" Rail Height

For 42" railing height, insert two RSB's into the TrexExpress Rail Assembly Tool. Wrap the assembly tool around the post with the arrows on the Horizontal label pointing up. (Note: If Post Skirts are in place, rest the bottom of the tool on top of the skirt. If skirts are not being used, place a 1 1/4" shim under the tool.) Attach the lower RSB to the post using (2) 1 5/8" screws. Remove the tool from the lower bracket, and then reposition the top of the tool 6" above the previous position. Finally, secure the upper RSB to the post using (2) 1 5/8" screws. (Note: : If assembly tool is not available, place the bottom and top brackets at 4" and 41 1/2" respectively from the deck surface. The brackets are installed with the sloped surface facing down. Measurements are to the top of the bracket.)

Steps for Installing Trex Designer Series Railing®

6 ft. Railing Sections; 36" and 42" Railing Height

STEP 5 — Top Rail Layout and Baluster Spacing

Place the bottom rail on its side; ensuring the side with the lip is up. Position the assembly tool, with the legs facing up, next to the bottom rail and set the balusters in designated slots. Then insert the balusters into the channel of the top rail. **(See Illustration D)** Align top and bottom rails, making sure the distance from the end of the top and bottom rail to the first baluster are equal on both ends. *(Note: If Railing Assembly Tool is not available, maximum spacing is 5" on center or 3 5/8" between balusters.)*

STEP 6 — Securing Balusters to Bottom Rail

With the assembly tool next to bottom rail, hold the baluster in contact with the lip of the bottom rail and nail through the underside of the bottom rail into each baluster with a 2" 16 gauge finish nail. **(See Illustration E)** *(Note: For added stability, pre-drill thru the bottom rail into the baluster and attach with a #8 - 2" screw. Groove in the bottom rail indicates the center location of the baluster for nailing.)*

STEP 7 — Securing Balusters to Top Rail

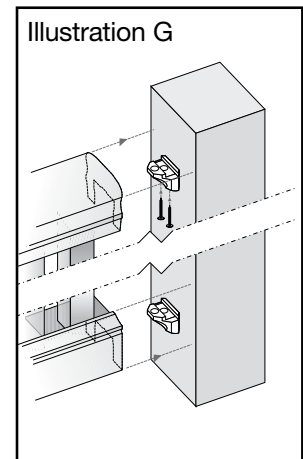
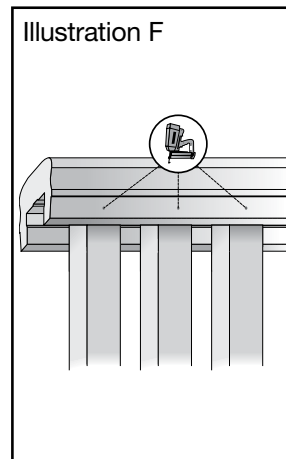
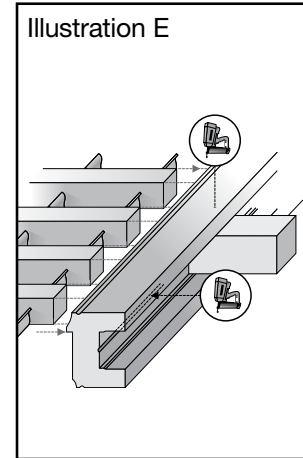
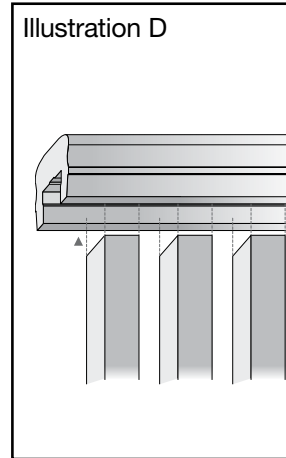
Slide the assembly tool up next to the top rail. Check the alignment so it is the same distance from the first baluster as the bottom rail. Secure each baluster through the lower side portion of the top rail into each baluster using a 2"-16 gauge nail. **(See Illustration F)** *(Note: For added stability, nail through both sides of the top rail.)* Hold nail gun perpendicular to baluster to be sure the nail drives securely into the baluster.

STEP 8 — Attach Support Blocks

Nail through the sides of the bottom rail into the support blocks. **(See Illustration E)** Support blocks are 4" long and are required every 18".

STEP 9 — Securing Level Railing Section to the Posts

Place the assembled railing section onto the RSBs previously secured to posts. **(See Illustration G)** Secure the top rail to the post using (2) screws. Secure the bottom rail by installing a screw through the top of the bottom rail into the outer most hole of the RSB. The bottom rail can also be secured to the post using (2) 16 gauge finish nails, toe nailed through the side of the bottom rail. Position the nail 1 1/2" up from the bottom of the rail and 1" in from the post.



STEP 10 — Finishing Up

Final post height is primarily due to personal preference. Once determined, the post (sleeve) can be trimmed. Be sure to cut the top of the post square and finish with a post cap.

Trex Designer Series Railing® Stair Railing Instructions

6 ft. Railing Sections; 36" and 42" Railing Height

STEP 1— Install Posts

Install posts, sleeves and skirts (if applicable) according to the level railing instructions. Lower post must be even with the front of the stringer.

STEP 2— Bottom RSB Location on Upper and Lower Post

- Determine length and angle of the top and bottom rail. (See *Illustration H*) Trim and test the rails for proper fit.
- Position the bottom rail between the posts and set to proper height from tread nosing. Support on blocks cut from scrap material. (Note: Check your local building code for railing height requirements.)
- Mark the underside of the bottom rail on both upper and lower posts where they intersect.
- On the upper stair post, center and secure the bottom bracket using (2) 1 5/8" screws (sloped surface facing up) with the bottom of the bracket on the mark made in the Step 2c.
- Center and secure the bottom bracket (sloped surface facing down) using (2) 1- 5/8" screws to the lower stair post with the bottom of the bracket on the mark made in Step 2c.

STEP 3— Top RSB Location on Upper and Lower Stair Post

- Determine the height of the top rail.
- Follow Step 2d-2e to install the railing brackets on the upper and lower post.
- Take a second bracket, turn it upside down and interlock it into each of the brackets on the lower stair post. (See *Illustration I*)

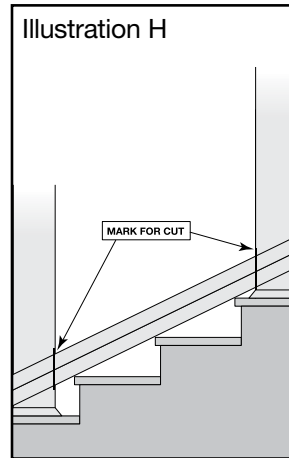
STEP 4— Cut the Balusters, Top and Bottom Rails to Length

Measure and cut balusters to length with correct angle.

STEP 5— Assemble Rail Section

Follow Steps 6 – 9 of the level railing section to complete stair-railing installation.

STEP 6— Securing Stair Railing Section to the Posts



Place the assembled railing section onto the Railing Support Brackets previously secured to posts. (See *Illustration G*) Secure the top rail to the post using (2) screws. Secure the bottom rail by installing a screw through the top of the bottom rail into the outer most hole of the RSB. The bottom rail can also be secured to the post using 16 gauge finish nails, toe nailed through the side of the bottom rail. Position the nail 1 1/2" up from the bottom of the rail and 1" in from the post.

STEP 7— Attach Support Blocks

Measure and cut support blocks. Nail through the sides of the bottom rail into the support blocks (See *Illustration E*). These are required every 18 inches.

STEP 8— Finishing up

Final post height is primarily due to personal preference. Once determined, the posts can be trimmed. Be sure to cut the top of the post square and finish with a post cap.

Care And Maintenance Guidelines

All exterior building materials require cleaning. Periodic cleaning of Trex® Decking & Railing will maintain the beauty of a Trex deck.

Sanding

- Trex does not recommend sanding railing. Sanding will change the appearance of the surface of Trex material.

Pressure Washer

- Trex does not recommend the use of a pressure washer.

Disposal

- Trex products should be disposed with normal construction debris or household waste. ***Do Not Burn Trex Products due to its material properties.***



Trex Company, Inc.
160 Exeter Drive
Winchester, VA 22603

©2007 Trex Company, Inc. All rights reserved. TREX®, the Trex® logo, Create Your Space®, Trex Origins™, Trex Accents®, Trex Brasilia®, Trex RailPost™, Trex Designer Series Railing®, Trex Artisan Series Railing®, TrexExpress™, the TrexExpress® logo and TrexPro® are either federally registered trademarks, trademarks or trade dress of Trex Company, Inc., Winchester, Virginia.