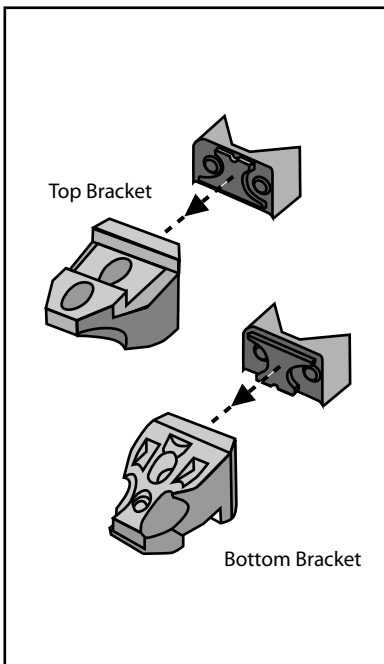


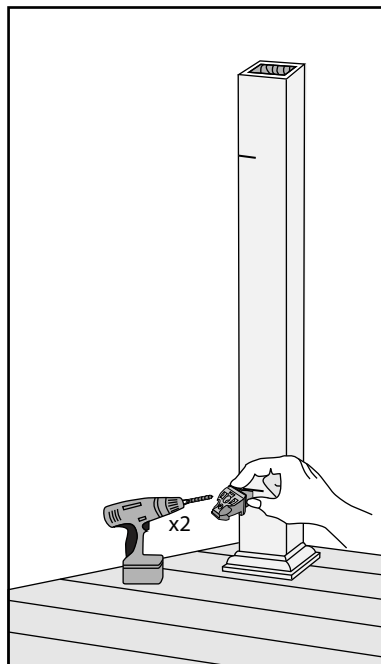
Step 1 - Mark the Posts

From the top of the Skirt (if not using Skirts, add 1½" to measurements) make a small line at 4" and 33 9/16" on the corner of the Post Sleeve.



Step 2 - Attach Adapter

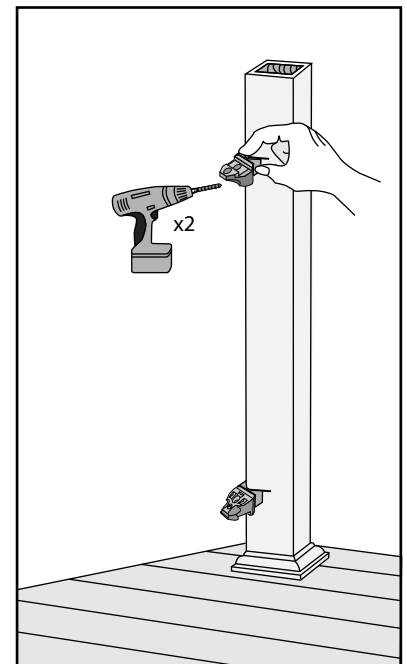
Snap the Adapter to the Railing Support Brackets (RSB's).



Step 3 - Pre-drill Bottom RSB

Place the top of the RSB with Adapter (flat side down) at the lower rail line and pre-drill the screw holes with a 1/8" drill bit.

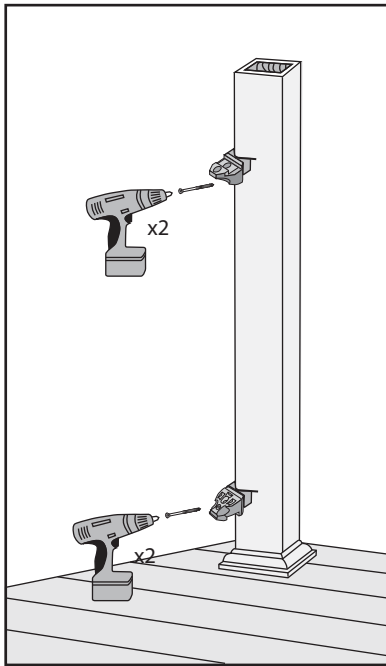
Note: When pre-drilling screw holes, drill at a slight inward angle to prevent the bit from crawling away from you.



Step 4 - Pre-drill Top RSB

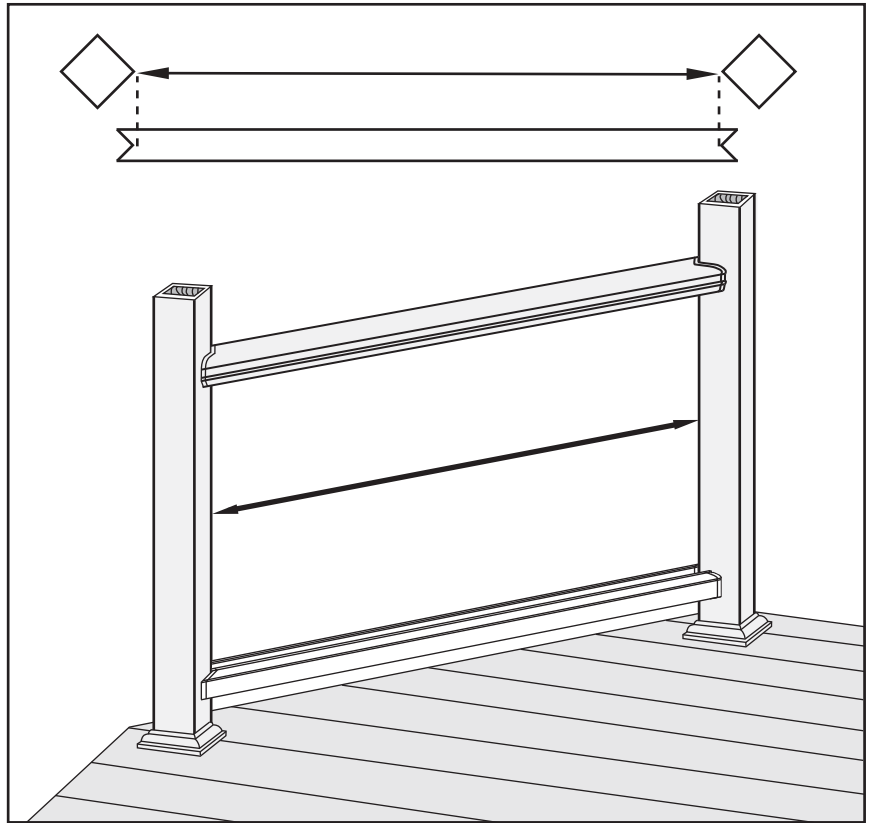
Place the top of the RSB with Adapter (flat side up) at the upper rail line and pre-drill the screw holes with a 1/8" drill bit.

Note: When pre-drilling screw holes, drill at a slight inward angle to prevent the bit from crawling away from you.



Step 5 - Attach the Top & Bottom RSB's

Attach the RSB's with Adapters to the post with the green 2½" screws provided.



Step 6 - Measure & Cut the Rails

Measure from corner to corner between the posts.

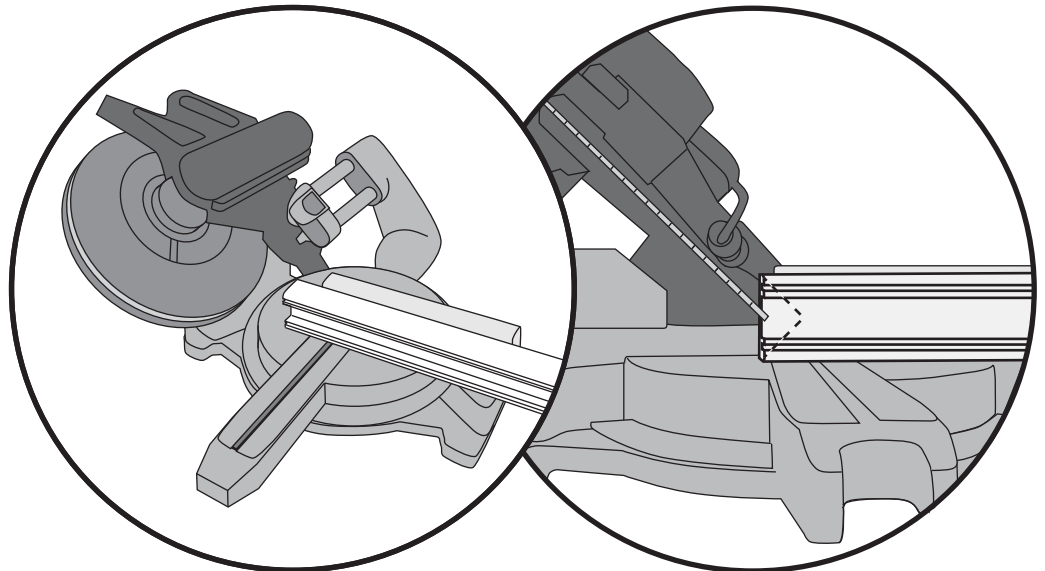
Cut the rails (the 45° Corner Template on the Assembly Tool can be used).

The center of the "V's" will be the distance from corner to corner of the post.

Using a Miter Box Saw to Cut the Rails

1. Place a 2x4 on edge behind the Rail to allow for complete cut.
2. Angle the blade to 45°.
3. Set the stop on the saw so the blade travels half the depth of the Rail. Several test cuts should be made on scrap material to accurately set the stop.
4. V cut both sides of the Rail.

Note: Artisan's Top and Bottom Rail will require different stop settings.



Have questions?

Visit trex.com or call 1-800-BUY-TREX for railing design ideas and installation instructions.