

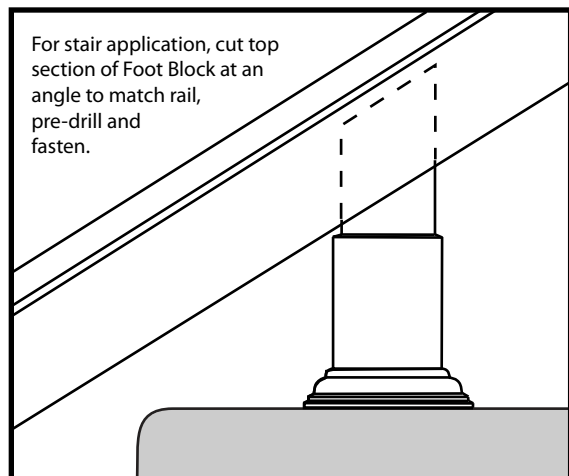
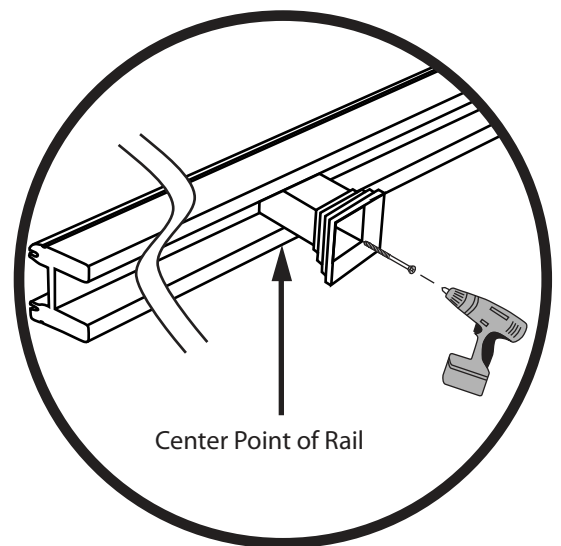
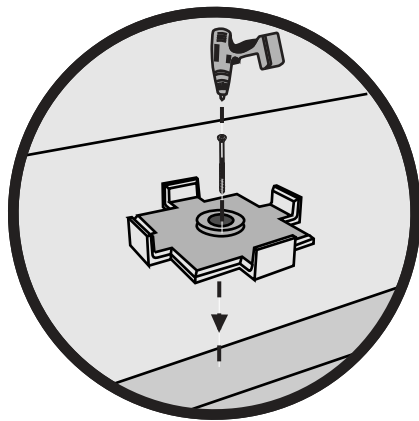
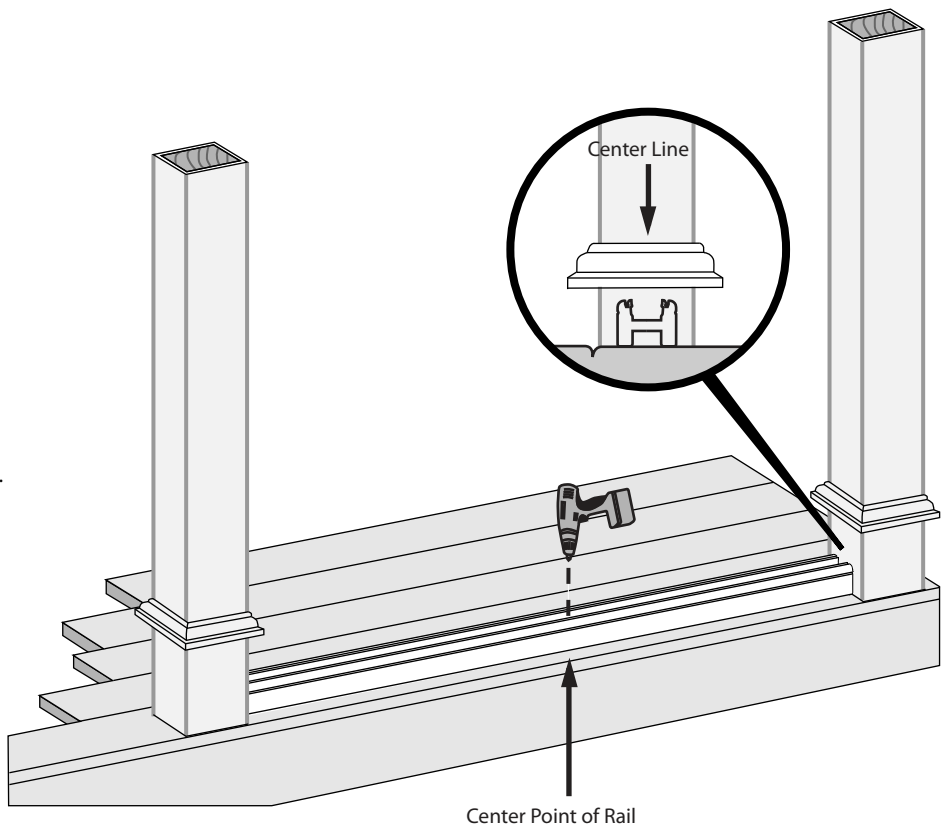
The installation of this Foot Block provides support for the bottom rail while matching the refined look of Trex Artisan Series Railing®.

1

Optional Foot Block Base Plate

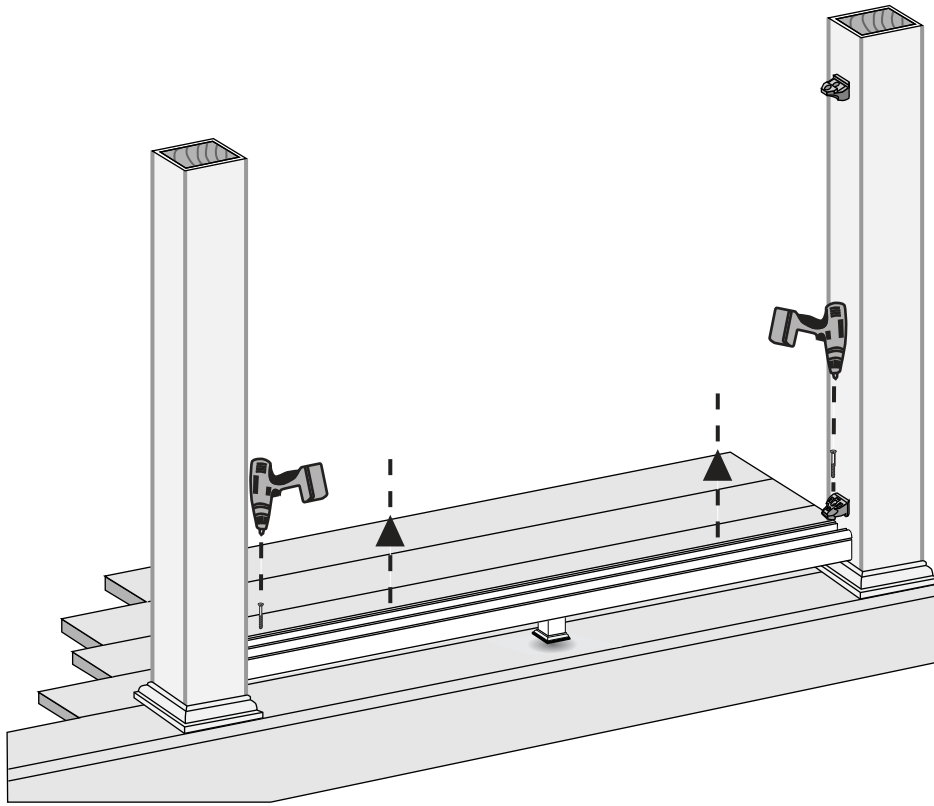
Attach the Foot Block Base Plate directly to the deck board for additional support.

- a. Prior to installing the Railing Support Brackets (RSB's) to the post sleeves, cut bottom rail to length.
- b. Temporarily slide post sleeve skirts up 3" or more.
- c. Center bottom rail at each post sleeve (see inset at right).
- d. At center point of bottom rail, drill a 1/16" pilot hole through both the bottom rail and 1/8" (min.) into the deck board below.
- e. Remove the bottom rail and set aside.
- f. With a #10 x 3/4" Stainless Steel Screw (provided), attach the Foot Block Base Plate centered over the 1/16" pilot hole in the deck board (see below).
- g. Foot Block will seat over Base Plate prior to installing Foot Block retaining screws.



2

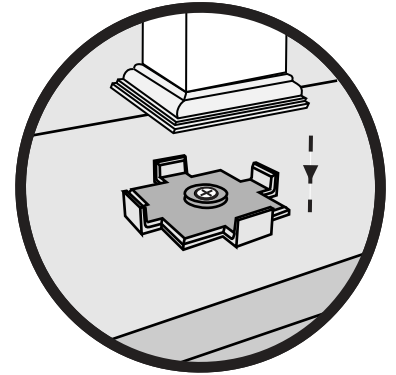
- a. Center the Foot Block in the bottom rail channel at the mid-point of the bottom rail span.
- b. With the Foot Block in its collapsed state, attach it to the bottom rail using the supplied 2" screws, as shown above.



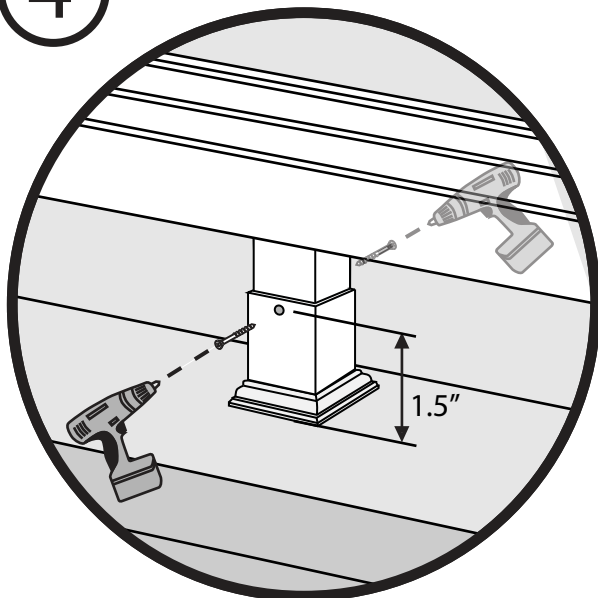
3

- a. Install the bottom rail.
- b. With bottom rail secured, pull down on the Foot Block until the base sits flush with the decking surface.

Note: If you have installed the optional Foot Block Base Plate, the Foot Block should seat over it as it telescopes (see below).

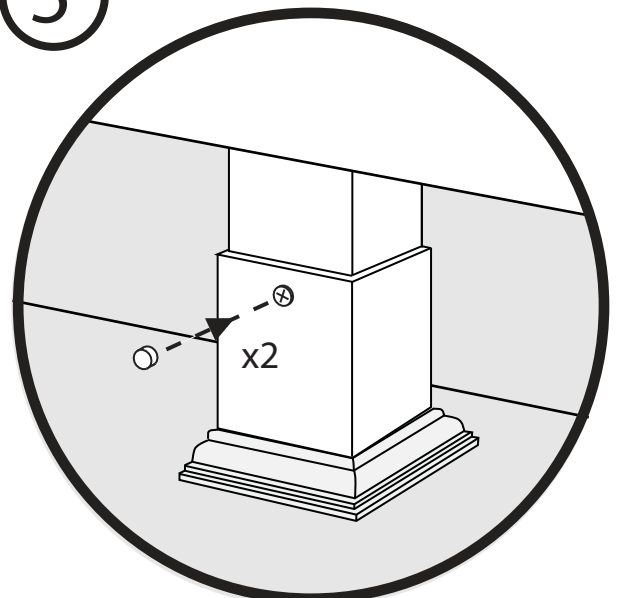


4



Install the supplied 3/4" retaining screws into the Foot Block on both the inside and the outside of the railing orientation, 1 1/2" from the bottom of Foot Block base, as shown above.

5



Install supplied snap caps onto retaining screws as shown above.

Have questions?

Visit trex.com or call 1-800-BUY-TREX for railing design ideas and installation instructions.