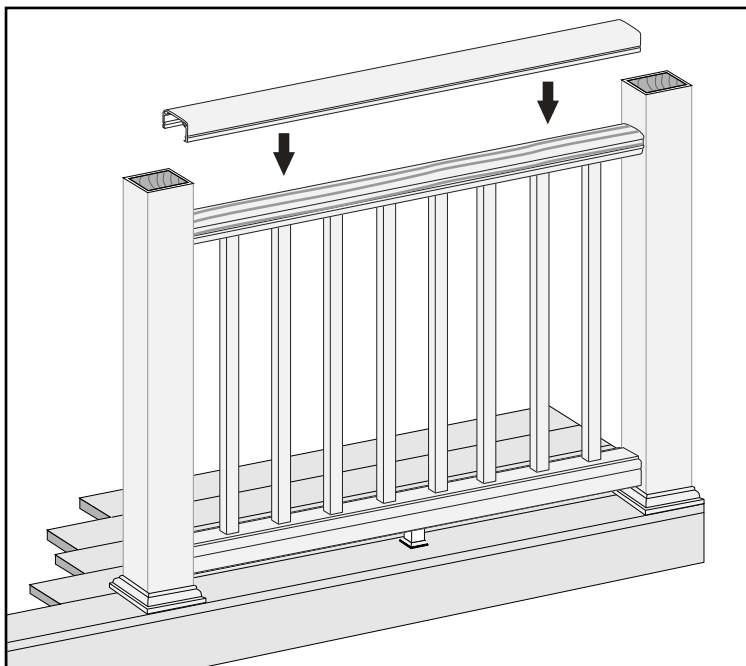
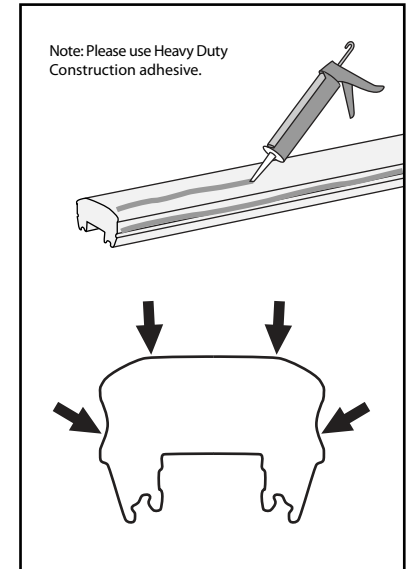


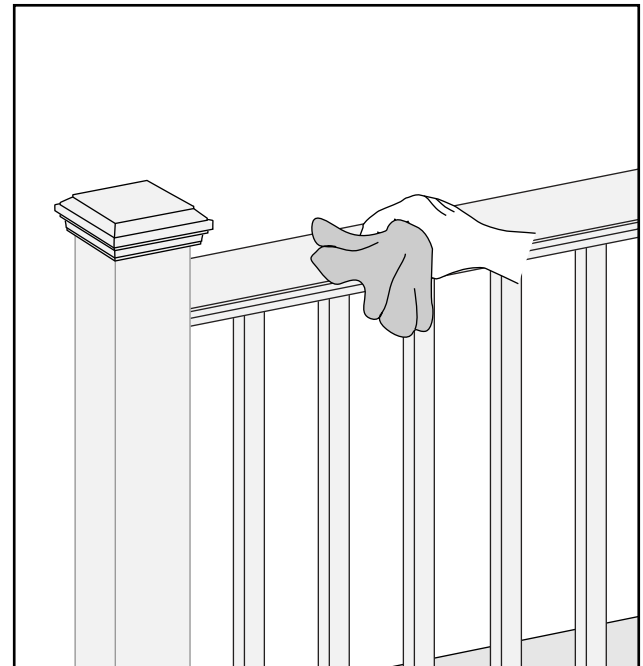
Step 3

Put adhesive on the Artisan Top Rail along the 2" lines on the top and right above the 2nd bump out from the top on either side.



Step 4

Snap the Top Rail Cap down onto the Artisan Top Rail.



Step 5

Wipe away and clean off any excess adhesive from the Top Rail Cap and Artisan Top Rail.

Have questions?

Visit trex.com or call 1-800-BUY-TREX for railing design ideas and installation instructions.