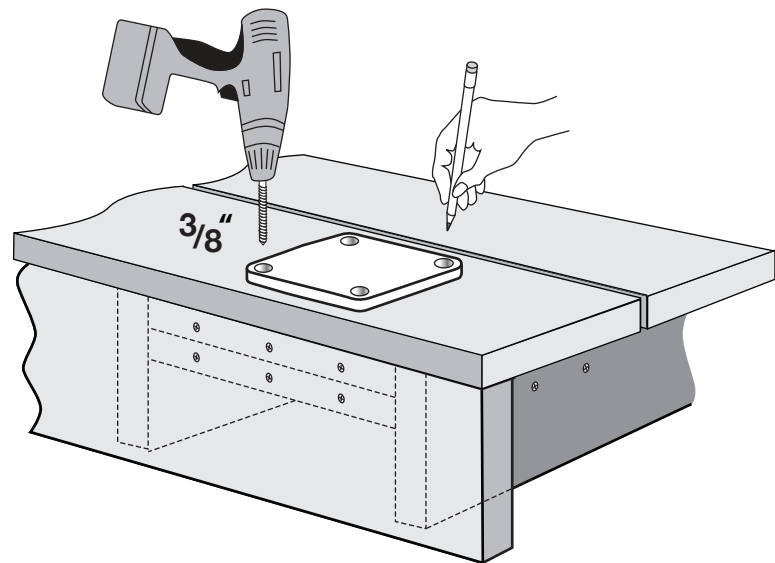
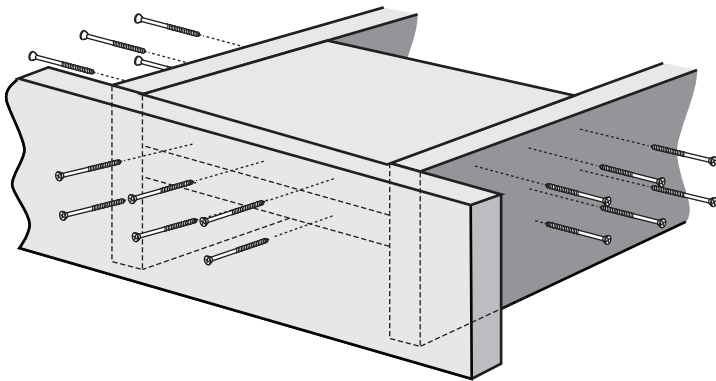
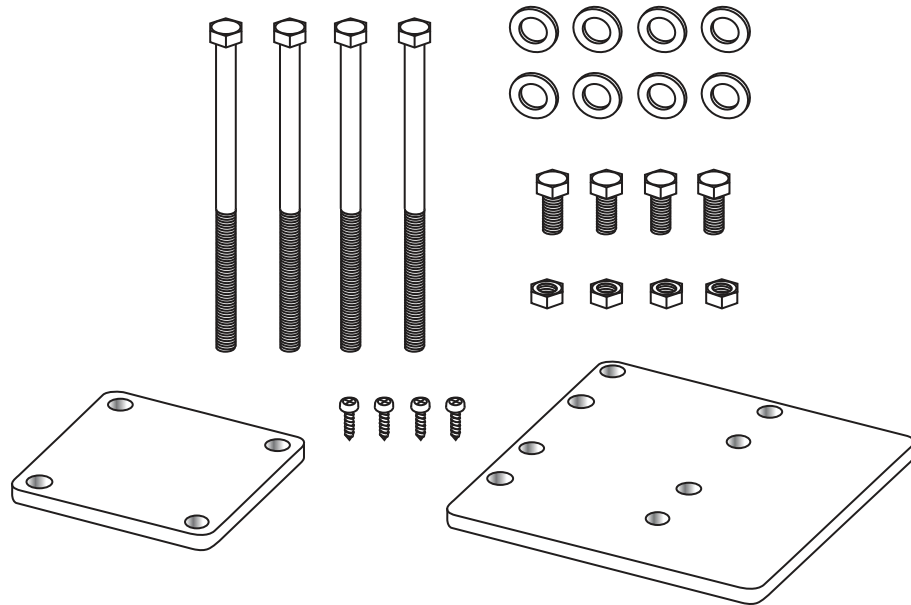
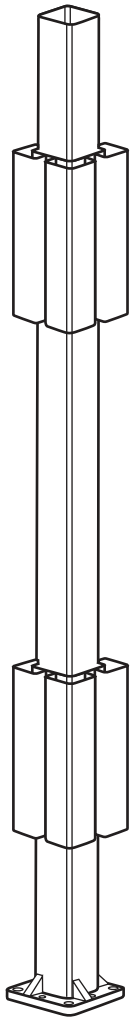


For use with Trex Post Mount mounted to decking surface.

Components:

- (4) $\frac{3}{8}$ " x $5\frac{1}{2}$ " Hex Bolts
- (4) $\frac{3}{8}$ x $\frac{3}{4}$ " Hex Bolts
- (1) Leveling Plate
- (1) Back Plate
- (8) Flat Washers
- (4) Hex Nuts
- (4) $\frac{3}{4}$ " Self-Tapping Screws



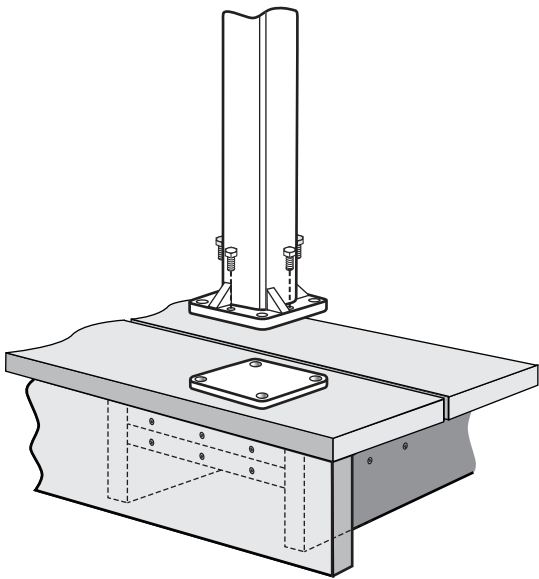
Step 1 - Install Blocking at Post Location

Install at least two 2x8 (min.) boards as blocking under the mounting location. Securely attach the blocking as shown using wood screws, penetrating the blocking a minimum of $1\frac{1}{2}$ ".

Step 2 - Mark & Drill

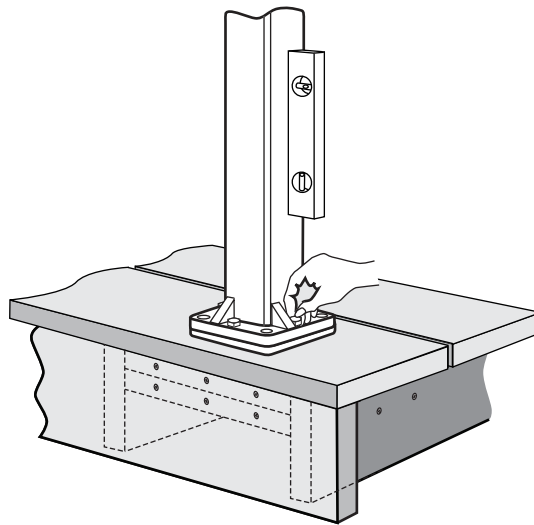
Using the leveling plate as a template, mark the locations of the 4 mounting holes to be drilled.

Drill 4 holes through the decking and blocking using a $\frac{3}{8}$ " diameter drill bit.



Step 3a - Install Leveling Bolts

Partially thread the (4) $\frac{3}{4}$ " hex bolts into the Post Mount member.

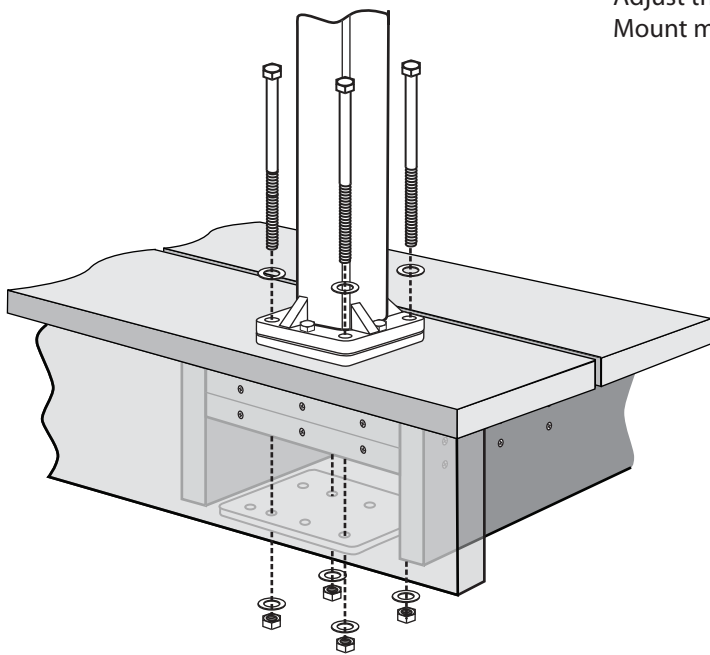
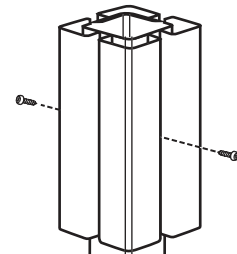


Step 3b - Level the Mount

Place the leveling plate on the decking surface and align over the 4 deck holes.

Align the Post Mount over the leveling plate.

Adjust the $\frac{3}{4}$ " hex bolts to ensure the Post Mount member is plumb.

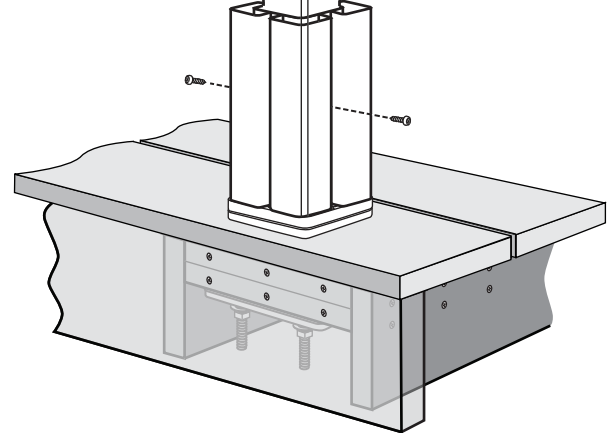


Step 4 - Install the Mounting Bolts & Back Plate

Position the $5\frac{1}{2}$ " mounting bolts through the Post Mount, leveling plate, and blocking.

On the underside, place the back plate over the exposed mounting bolts. (Use the centered holes for in-line applications and the offset holes for corner applications.)

Secure the back plate by using the supplied hex nuts and washers.



Step 5 - Install Guide Blocks

Install the 2 guide blocks onto the Post Mount member as shown.

Install the supplied self-tapping screws to hold the guide blocks in place.

Step 6 - Install the Railing System of Choice

Have questions?

Visit trex.com or call 1-800-BUY-TREX for railing design ideas and installation instructions.